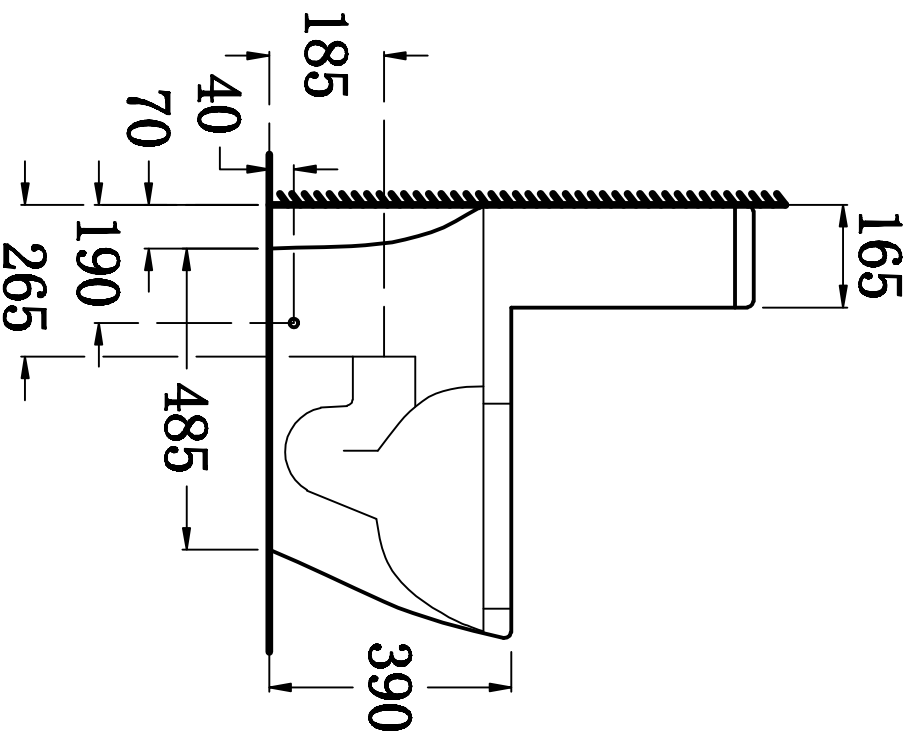
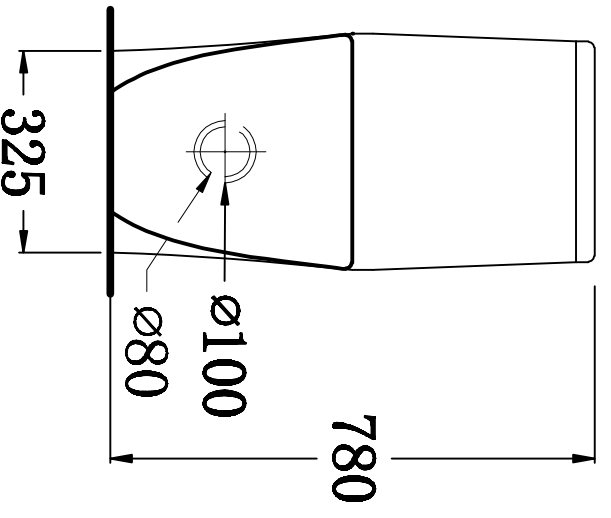


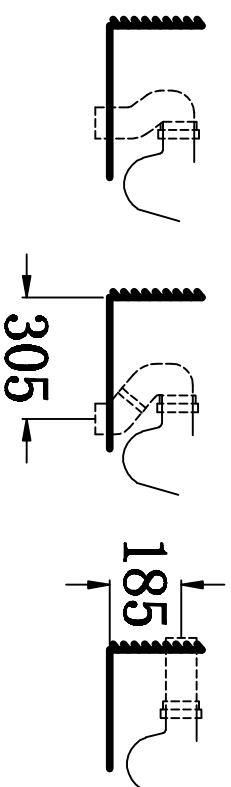
俯视图



剖面图

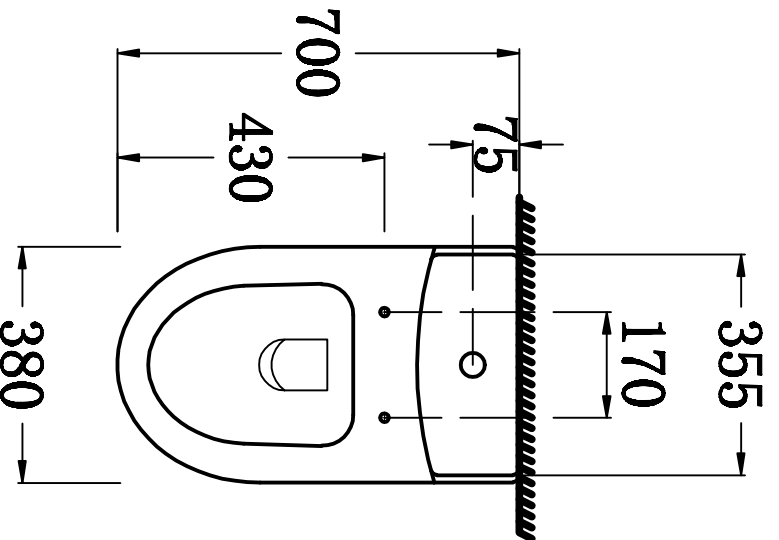


主视图

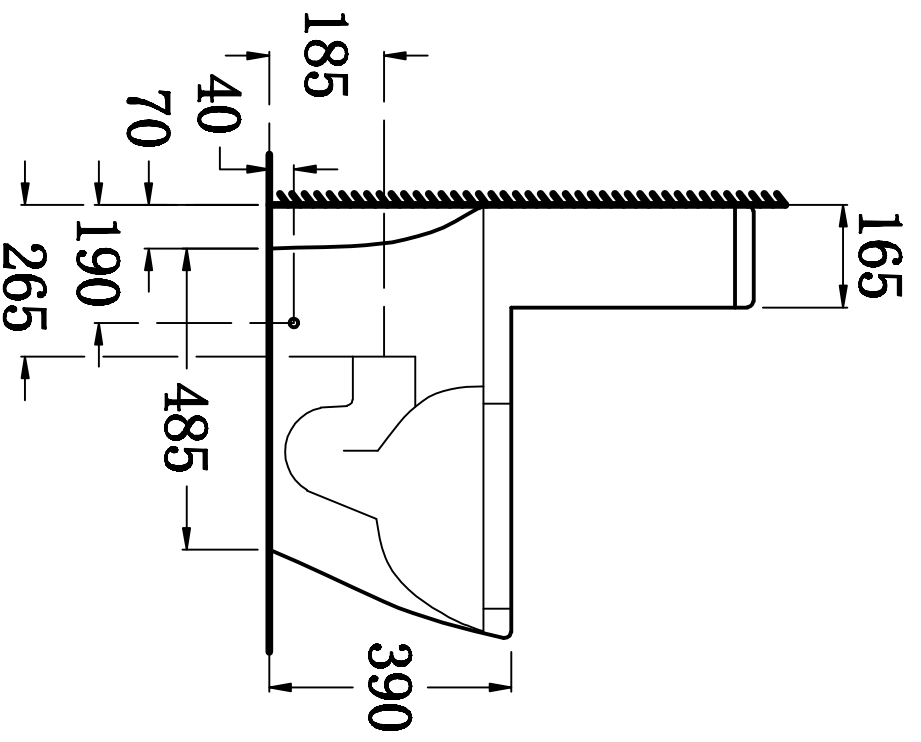


说明：接受±5mm公差

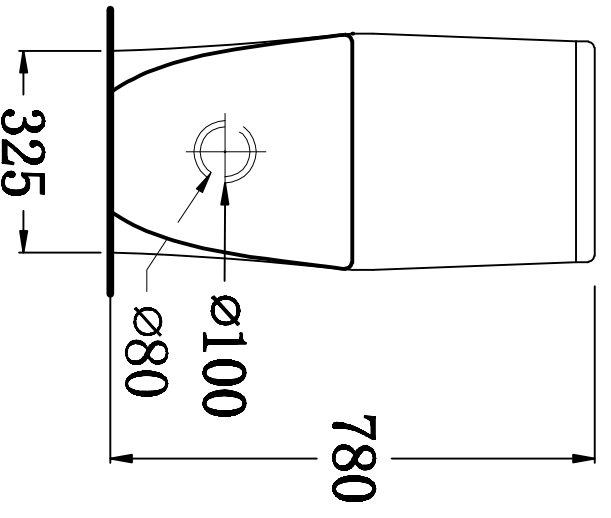
<b>华乐诗卫浴有限公司</b> VALUISA BUILDING PRODUCT LTD.			
型号 Model No.	WR-110034.1B	设计 Designed by	
名称 Name		制图 Drawn by	
重量 Weight		审核 Checked by	
比例 Scale	1:10	审核 Reviewed by	
日期 Date		批准 Approved by	



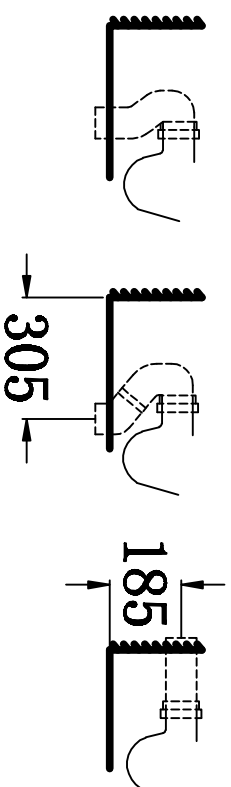
俯视图



剖面图



主视图



说明：接受±5mm公差

<b>华乐诗卫浴有限公司</b> VALUISA BUILDING PRODUCT LTD.			
型号 Model No.	WR-110034.1B	设计 Designed by	
名称 Name		制图 Drawn by	
重量 Weight		审核 Checked by	
比例 Scale	1:10	审核 Reviewed by	
日期 Date		批准 Approved by	



# QUOTATION

FOR KING FOOK HOLDINGS LIMITED

TO : King Fook Holdings Limited  
Address : 7/F., King Fook Building, 30-32 Des Voeux Road,  
Central, Hong Kong  
Attn : Grace Wong  
Tel : +852 28228598  
Email: gracewong@kingfook.com

QUO No. : GB05422D02  
QUO Date : 27 Jun 2025  
Issued By: Vivian Tam  
Email : info@grandebranding.com  
Tel : +852 6400 0720 / +852 3797 7155

Item	Particular	Qty	
1.	Professional shooting package - Storyboard - Mini Crew - Equipments - Transportation - Library Music - Raw Footages - Version x1 (With in 60" mood video) - Offline Editing - Color Grading  *On-screen talents are excluded. **Animation, CG effects are excluded.	1	\$60,000
	Total Price		\$60,000

Payment Terms	Price(HKD)
Confirmation of contract	\$20,000
Confirmation of the storyboard	Balance of 50%
Due within 30 days after the shooting has been completed	Balance of 50%

Terms & Conditions
<p>1. These Terms and Conditions together with the scope of works provided by Grande Development Ltd which describe the services set out the entire agreement between Grande Development Ltd and you (the "Client") and will apply once an appointment has been made to provide Grande Development Ltd services (the "Services"). The contract is valid for 14 days before confirmation. We reserve the rights to alter price based on variation of market prices before the confirmation of the quotation.</p> <p>2. Before procuring the Services you should read these terms and conditions carefully. By paying the payment you are agreeing to these terms and conditions. Termination of contract will not affect either party's outstanding rights or duties, including Grande Development Ltd right to recover any money owing to it under these terms and conditions.</p> <p>3. This package includes a maximum of two revisions for each design items respectively. Supplementary invoices will be made for any additional design items.</p>

4. Estimated 30 working days are required for design upon confirmation, excluding any delay on schedule due to any changes for work or additional items requested by the client or the third parties (e.g. production house)
5. After all the design drawings are confirmed, clients can consider using the production services provided by Grande Brand+, and we will provide a production quotation if needed.
6. If the client chooses to hire their production house, we will provide design for the production house. However, we have no responsibility for the work quality by the production house hired by the client.
7. The client shall be entitled to use any such materials, documents or other items in connection with the Services but shall not be entitled to copy any such own marketing purposes
8. Grande Development Ltd shall be permitted to use photographs of the Client's property which demonstrates the Services provided by Grande Development Ltd for its items shall be or remain the sole property of Grande Brand+.

Should you agree to the above package and terms, please sign this invoice as confirmation and email to [info@grandbranding.com](mailto:info@grandbranding.com); Please make payment to the bank accounts in below or cheque payable to "君迪發展有限公司/Grande Development Limited " and bank into HSBC account - Account No.: 033-290537-838 . The cheque shall not be deemed to be payment until honored by the bank.

- 1) HSBC account - Account No.: 033-290537-838
- 2) BEA account - Account No.: 015-529-68-003216
- 3) FPS Identifier - 162989818

Prepared by

Customer Acceptance by



---

Vivian Tam  
Digital Art Manager

---

Company Chop & Signature  
Date :

---

GRANDE  
BRAND+

GRANDE DEVELOPMENT LIMITED

27C, TML Tower, 3 Hoi Shing Road, Tsuen Wan, HK  
T. +852 3114 8683 E. [info@grandbranding.com](mailto:info@grandbranding.com)  
[grandbranding.com](http://grandbranding.com)